

# Spectra® Mini IP Network Dome System

## DIGITAL, INDOOR, SURFACE MOUNT/IN-CEILING

### Product Features

- Ability to Control and Monitor Video Over IP Network
- 3 Simultaneous Video Streams
  - Dual MPEG-4 (30 ips)
  - Scalable MJPEG
- Supported Protocols: TCP/IP, UDP/IP (Unicast, Multicast IGMP), UPnP, DNS, DHCP, RTP, NTP
- Power over Ethernet (PoE) Compatible
- Single Model for Surface Mount and In-Ceiling Applications
- Autofocus, High Resolution Integrated Color Camera/Optics Package
- 80X Zoom (10X Optical, 8X Digital)
- Zone Blanking
- 64 Presets
- 0.5° Preset Accuracy
- 140°/Second Pan Speed
- 360° Continuous Pan
- Rotating Discreet Liner
- Bidirectional Full-Duplex Audio



**SURFACE MOUNT APPLICATION**



**RECESSED CEILING APPLICATION**

**Spectra® Mini IP** dome systems incorporate all of the features and functions of Spectra Mini, while allowing you to control and monitor video over an IP network from virtually anywhere in the world.

**Spectra Mini IP** is a miniature dome with a built-in 100Base-TX network interface for live streaming to a standard Web browser. The dome system features open architecture connectivity for third-party software recording solutions allowing integration into virtually any IP-based system.

The **Spectra Mini IP** is compatible with Integral Digital Sentry® video management systems. The dome system is also Endura Enabled™ to record, manage, configure, and view multiple live streams. When connected to an Endura® network-based video security system, the dome system has access to EnduraStor™ and EnduraView™ for optimized image quality and bandwidth efficiency.

**Spectra Mini IP** features the same ease of installation and ease of maintenance that you have come to expect from Spectra Mini. The easy-to-install dome system can be mounted to the surface of ceilings or recessed into hard ceilings and suspended tile ceilings. **Spectra Mini IP** is IEEE 802.3af PoE compatible, which supplies power to the dome system through the network. If PoE is not available, the unit is prewired for 24 VAC.

Variable speed capabilities of **Spectra Mini IP** range from a fast pan motion of 140 degrees per second to a smooth “creep” speed of 0.4 degrees per second. The system is capable of continuous 360 degrees rotation, and it has an autoflip feature that allows the dome to rotate 180 degrees and reposition itself for uninterrupted viewing of any subject that passes directly beneath the dome’s location.

# TECHNICAL SPECIFICATIONS

## ADDITIONAL PRODUCT FEATURES

- 64 Presets: 53 User Definable and 11 Predefined
- Multilingual Menus (English, Spanish, Portuguese, Italian, French, and German)
- Alternate Language Files (includes Russian, Polish, Turkish, and Czech) Available as Optional Software Upload
- On-Screen Compass, Tilt, and Zoom Display
- Password Protection
- 140°/sec Pan Preset Speed and 80°/sec Tilt Preset Speed
- Rotating Discreet Liner
- 4 Zones (programmable in size) Can Be Labeled with up to 20 Characters Each or Set to Output Blank Video
- Programmable Locations of Labels and On-Screen Displays
- 1 On-Screen, User-Defined Programmable Pattern. Includes Pan, Tilt, Zoom, and Preset Functions
- 1 Programmable Window Blanking Area
- Proportional Pan and Tilt: Continually Decreases Pan/Tilt Speeds in Proportion to Depth of Zoom
- Variable Scan Speed: Scan Speed Can Be 3, 6, or 12°/sec
- Pan Motion Allows 0.4° to 140°/sec Pan Speed
- Programmable Limit Stops for Auto/Random/Frame Scan Modes
- Built-in Menu System for Setup of Programmable Functions
- Auto Flip Rotates Dome 180° at Bottom of Tilt Travel
- Programmable Zoom Speeds
- 1 Alarm Input
- 1 Auxiliary Relay Output

## VIDEO

Digital Compression	MJPEG, MPEG-4 (available only with Microsoft® Internet Explorer®)	
Video Streams	3, simultaneous	
Video Resolutions	<u>NTSC</u>	<u>PAL</u>
4CIF	704 x 480	704 x 576
2CIF	704 x 240	704 x 288
CIF	352 x 240	352 x 288
QCIF	176 x 120	176 x 144
Bit Rate Configurable		
MPEG-4	30 ips, 2 Mbps for primary stream, 1 Mbps for secondary stream; implements EnduraView	
MJPEG	15 ips, 3 Mbps, MJPEG	
Web User Interface		
Pelco Device Utility	For viewing HTTP, requires Java Runtime Environment (JRE™)	
Internet Explorer	For viewing and control, requires ActiveX®	
Firefox®	For viewing and control	
Users	5 simultaneous users MJPEG or MPEG-4 unicast; unlimited number of users using multicast (MPEG-4 only)	
Minimum System Requirements		
Processor	Intel® Pentium® 4 microprocessor, 1.6 GHz	
Operating System	Microsoft® Windows® 98, Windows 2000, Windows XP (or later), or Mac® OS X 10.4 (or later)	
Memory	512 MB RAM	
Network Interface Card	100 megabits, minimum	
Monitor	Minimum of 1024 x 768 resolution, 16- or 32-bit pixel color resolution	
Web Browser	Internet Explorer® 5.5 (or later) or Mozilla® Firefox® 1.5 (or later)	
Firmware Upgrade	Pelco Device Utility or Endura Application	
Supported Protocols	TCP/IP, UDP/IP (unicast, multicast IGMP), UPnP, DNS, DHCP, RTP, NTP	

## GENERAL

Construction	Alodined cast aluminum
Top Cap	ABS plastic
Dome Drive	
Trim Ring and Surface Mount Ring	ABS plastic
Bubble	Acrylic
Finish	White or black
Light Attenuation	
Smoked	f/0.5 light loss
Clear	Zero light loss
Cable Entry	RJ45-10 connector for PoE and 100Base-TX, auto MDI/MDI-X, autonegotiate; 2-position 24 VAC input terminal connector
Cable Type	Cat5 or better for 100Base-TX
Environment	Indoor
Operating Temperature	32° to 122°F (0° to 50°C)
Unit Weight	1.88 lb (0.85 kg)
Shipping Weight	4 lb (1.81 kg)

## MECHANICAL

Pan Movement	360° continuous pan rotation
Vertical Tilt	Unobstructed +2° to -92°
Manual Pan/Tilt Speeds	
Pan	0.4° to 80°/sec manual operation, 100°/sec turbo
Tilt	0.7° to 40°/sec manual operation
Preset Speeds	
Pan	140°/sec
Tilt	80°/sec

**Note:** For variable speed operation, an appropriate controller is required.

## ELECTRICAL

Input Voltage/Amps	18 to 30 VAC, 24 VAC nominal; 0.75 A, 50/60 Hz nominal
Input Power	18 VA nominal
PoE	IEEE 802.3af class 3

## AUDIO

Streaming	Bidirectional: full or half duplex
Input/Output	Terminal block, analog for microphone and speaker; 600-ohm differential; 1 Vp-p maximum signal level
Compression	G.711 PCM 8 bit, 8 kHz mono at 64 kbit/s

# TECHNICAL SPECIFICATIONS

## CAMERA

Signal Format	NTSC/PAL
Scanning System	2:1 interlace
Image Sensor	1/4-inch interline CCD
Effective Pixels	NTSC 768 (H) x 494 (V) PAL 752 (H) x 582 (V)
Minimum Illumination	3.0 lux
White Balance	Automatic with manual override
Shutter Speed	Automatic (electronic iris)/manual 1/60~/30,000
Gain Control	Automatic with manual override

## LENS

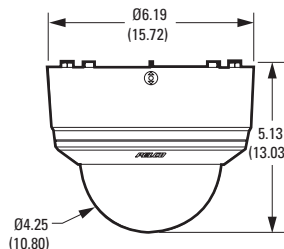
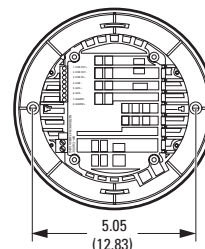
Lens	f/1.8 (f= 4.2~42 mm optical) 10X optical zoom, 8X digital zoom
Zoom Speed (optical range)	1.5/2.5/4.3 seconds
Horizontal Angle of View	46.4° wide zoom; 5.0° telephoto zoom
Focus	Automatic with manual override
Iris Control	Automatic with manual override

## CERTIFICATIONS

- CE, Class B
- FCC, Class B
- UL/cUL Listed
- C-Tick

## MODELS

SD4N-B0	Indoor dome system, black, smoked bubble, NTSC
SD4N-B1	Indoor dome system, black, clear bubble, NTSC
SD4N-B0-X	Indoor dome system, black, smoked bubble, PAL
SD4N-B1-X	Indoor dome system, black, clear bubble, PAL
SD4N-W0	Indoor dome system, white, smoked bubble, NTSC
SD4N-W1	Indoor dome system, white, clear bubble, NTSC
SD4N-W0-X	Indoor dome system, white, smoked bubble, PAL
SD4N-W1-X	Indoor dome system, white, clear bubble, PAL



NOTE: VALUES IN PARENTHESES ARE CENTIMETERS;  
ALL OTHERS ARE INCHES.

# TECHNICAL SPECIFICATIONS

## OPTIONAL MOUNTS

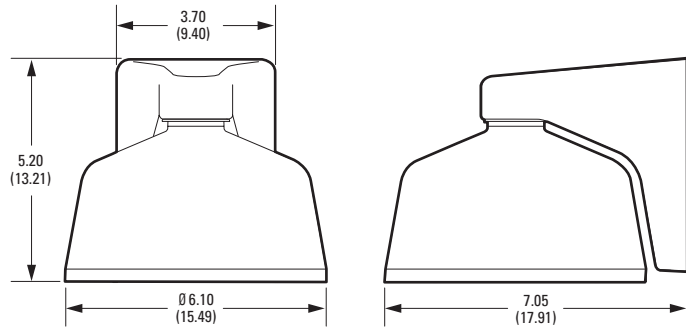
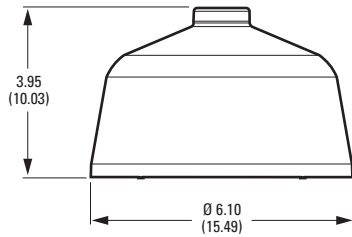
SPM4-W	Pendant mount, white
SPM4-B	Pendant mount, black
SWM4-W	Pendant-wall mount, white
SWM4-B	Pendant-wall mount, black



**SPECTRA MINI DOME SHOWN WITH  
OPTIONAL SPM4-W PENDANT MOUNT**



**SPECTRA MINI DOME SHOWN WITH  
OPTIONAL SWM4-W PENDANT-WALL MOUNT**



NOTE: VALUES IN PARENTHESES ARE CENTIMETERS; ALL OTHERS ARE INCHES.

### SPM4-W/SPM4-B

Mounting Method	Attach mount to 0.75-inch NPT pipe or 20 mm threaded conduit; attach Spectra Mini IP dome with hardware supplied with mount
Construction	ABS plastic
Finish	
SPM4-W	White
SPM4-B	Black
Unit Weight	0.30 lb (0.14 kg)
Shipping Weight	2 lb (0.91 kg)

### SWM4-W/SWM4-B

Mounting Method	Install adapter plate on wall or junction box using appropriate hardware; attach Spectra Mini IP dome with hardware supplied with mount
Construction	ABS plastic, aluminum
Finish	
SWM4-W	White
SWM4-B	Black
Unit Weight	0.72 lb (0.33 kg)
Shipping Weight	2 lb (0.91 kg)

#### Pelco, Inc. Worldwide Headquarters:

625 W. Alluvial Avenue, Fresno, California 93711USA

**USA & Canada** Tel: (800) 289-9100 • FAX: (800) 289-9150

**International** Tel: +1 (559) 292-1981 • FAX: +1 (559) 348-1120

[www.pelco.com](http://www.pelco.com)

Pelco, the Pelco logo, Coaxitron, Digital Sentry, Endura, Spectra, and B.O.S.S. are registered trademarks of Pelco, Inc. Endura Enabled, EnduraStor, and EnduraView are trademarks of Pelco, Inc.

All product names and services identified throughout this document are trademarks or registered trademarks of their respective companies. The absence of a trademark or registered trademark from this document does not constitute a waiver of intellectual property rights.

Product specifications and availability subject to change without notice.

©Copyright 2009, Pelco, Inc. All rights reserved.